



Powerful Solutions

# EagleVision CCTV

## SECURITY SOLUTIONS AND TECHNOLOGIES

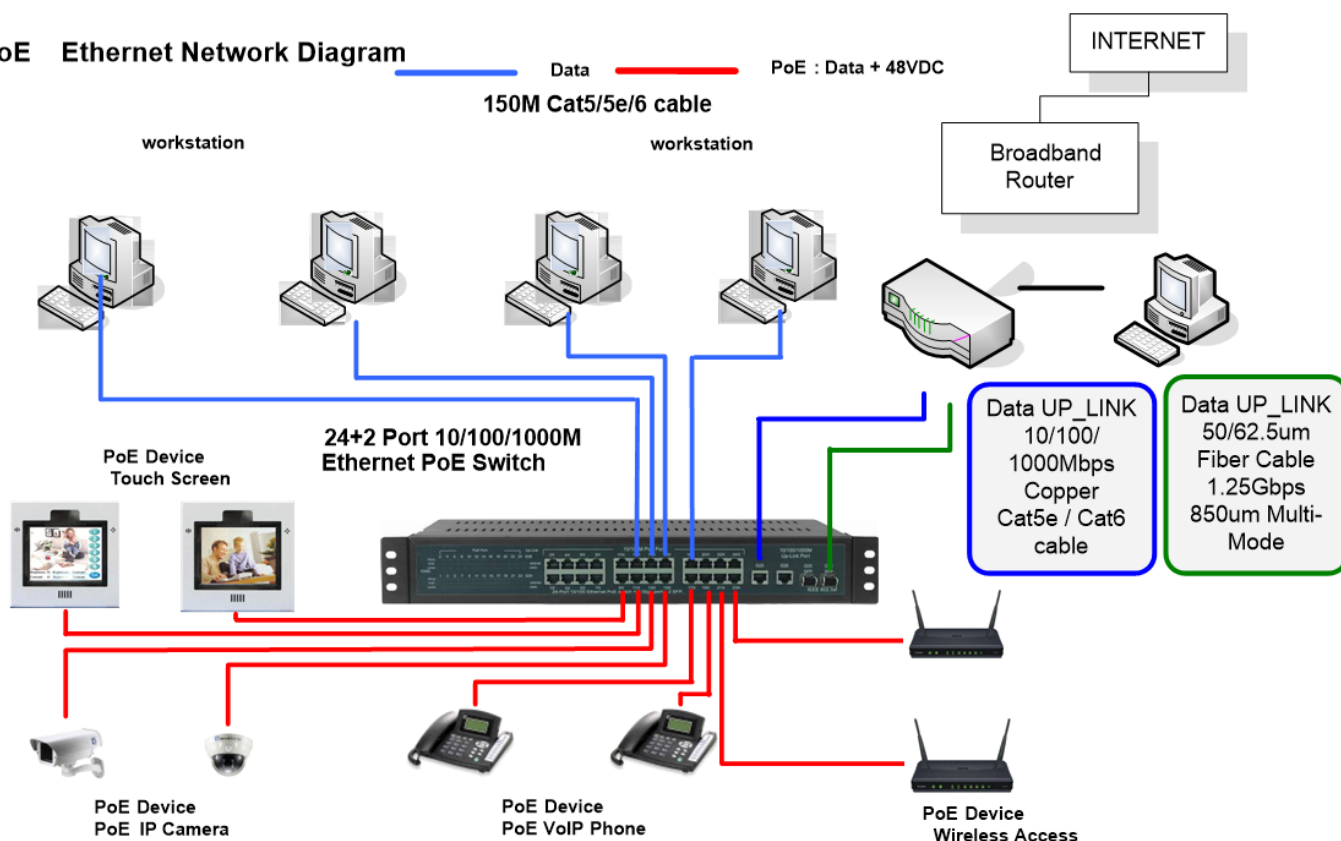
### Switch Gerenciável PoE af/at 24p + 2Gb + 2 SFP

O Switch PoE af/at EagleVision Série EN-SWU2824PM é um switch POE (Power Over Ethernet) gerenciável desenvolvido para uso comercial e industrial. Possui 24 portas 10/100mbs Ethernet + 2 portas Gigabit Ethernet + 2 portas SFP (fibra ótica) para alto tráfego de banda larga; e tem características de segurança que atendem às necessidades de gerenciamento de acesso local e remoto. Ademais, o Switch Série EN-SWU2824PM permite flexibilidade de rede com QoS e possibilita gerenciamento L2. Suporta ainda o padrão 802.3af/at (30W) para alimentação, SNMP para monitorar a rede, integração para IPv6 e IPv4 e recursos de segurança que permitem impedir o acesso não autorizado à rede empresarial.



- Suporta até 380~430W alimentação fonte interna PoE
- Compatível com padrão PoE IEEE 802.3af/at (30W/porta)
- Suporta VLAN, SNMP, RSTP, STP, SNAP, IGMP, etc
- Gerenciamento do Sistema via web-based Layer 2
- Envia alarme via e-mail em caso de erros no Sistema
- Suporta transmissão em até 150 metros CAT5/6
- 3 (três) anos de garantia e assistência nacional

#### PoE Ethernet Network Diagram





Powerful Solutions

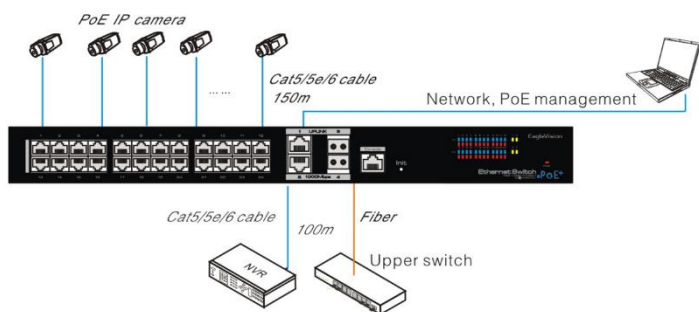
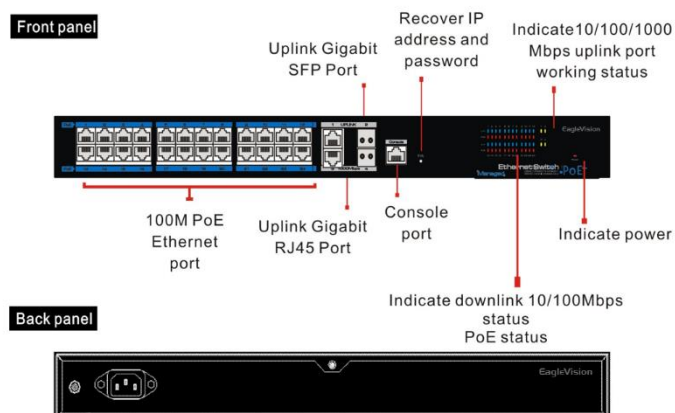
# EagleVision CCTV

## SECURITY SOLUTIONS AND TECHNOLOGIES

### Network Management

Switch Feature		Layer 2 Protocol
System Configuration	<ol style="list-style-type: none"> <li>1. Authentication:</li> <li>2. IP configuration</li> <li>3. System Status</li> <li>4. Load Default</li> <li>5. Firmware update</li> <li>6. Reboot Device</li> </ol>	<ol style="list-style-type: none"> <li>1. STP/RSTP</li> <li>2. LACP</li> <li>3. Loopback detection</li> </ol>
Port Management	<ol style="list-style-type: none"> <li>1. Port Configuration</li> <li>2. Port Mirroring</li> <li>3. Bandwidth Control</li> <li>4. Broadcast Storm</li> </ol>	<b>Hi Layer Protocol</b> <ol style="list-style-type: none"> <li>1. TFTP server</li> <li>2. HTTP server</li> <li>3. DHCP relay agent option 82</li> </ol>
VLAN	<ol style="list-style-type: none"> <li>1. VLAN Mode: 20 tag based VLANs</li> <li>2. Tag: Remove/add tag for tag base VLAN</li> <li>3. Multi-to-1 VLAN</li> </ol>	<b>Console Command</b> <ol style="list-style-type: none"> <li>1. CLI</li> <li>2. Telnet</li> <li>3. One to Multi upload</li> </ol>
Per port counter	Provides one of 4 group of counter	<b>Management Protocol</b>
Trunk	<ol style="list-style-type: none"> <li>1. Source MAC address and destination MAC address</li> <li>2. Source MAC address only.</li> <li>3. Destination MAC address only.</li> <li>4. Port ID</li> </ol>	<ol style="list-style-type: none"> <li>SNAP</li> <li>1. System Group</li> <li>3. Interface Group</li> </ol>
QoS Setting	<ol style="list-style-type: none"> <li>1. Scheduling mode</li> <li>2. Priority Queue Mapping</li> <li>3. Class of Service Rule.</li> </ol>	<b>PoE</b> <ol style="list-style-type: none"> <li>1. Global</li> <li>2. Port</li> </ol>
Security Filter	<ol style="list-style-type: none"> <li>1. Physical port to MAC address binding.</li> <li>2. TCP/UDP port number filter.</li> </ol>	
Configuration Backup/recovery		
Miscellaneous	<ol style="list-style-type: none"> <li>1. Aging time.</li> <li>2. IGMP Snooping.</li> <li>3. VLAN striding.</li> </ol>	

24 Ports Managed PoE Ethernet Switch Board Diagram



EN-SWU2824PM	EN-SWU2016PM
24 Port 10/100Mbps PoE switch + 2 gigabit ports + 2 SFP ports + Managed	16 Port 10/100Mbps PoE switch + 2 gigabit ports + 2 SFP ports + Managed
Support up to 380W (24ports) or 250W (16ports) of PoE Power - Internal Power Supply	
Setting free and Complies with IEEE 802.3af/at PoE standard	
Rack mountable - Comes with rack mount holder	
PoE power is delivered to the twist-pair pin 1,2 and pin 3,6	
Safety Protection on Low Power Devices	
16G Capacity / Support VLAN, Trunking and Layer-2 Management	
<b>Network Protocol and Standard</b>	
IEEE 802.3 10BASE-T Ethernet	
IEEE 802.3u 100BASE-TX	
IEEE802.3z 1000BASE-SX/LX, IEEE 802.3x Full Duplex Flow Control	
IEEE 802.3af/at Power over Ethernet	
IEEE 802.3ab 1000Base-T Gigabit Ethernet (twisted-pair copper)	
<b>Protocol</b>	
IPv4/v6, CSMA/CD, TCP/IP, SNMPv1/v2c/v3, HTTP, RSTP, SMTP, NTP,	
<b>Alarm Function</b>	
Send e-mail alarm upon date/time error or system problem	
<b>Data Transfer Rate</b>	
Ethernet: 10Mbps (half-duplex), 20Mbps (full-duplex)	
Fast Ethernet: 100Mbps (half-duplex), 200Mbps (full-duplex)	
Gigabit Ethernet: 2000Mbps (full duplex)	
<b>Network Cables</b>	
10Base-T: 2-pair UTP Cat5 up to 150 meters	
100Base-T: 2-pair UTP Cat5, 5e up to 120 meters	
1000Base-T: 4-pair UTP Cat5e 6, up to 100meters	
50/62.5um LC signal model or Multi model fiber cable (SFP Module sold separately)	
<b>Number of Ports</b>	
24 x 10/100Mbps auto-MDIX RJ-45 ports with 24 PoE enabled ports	16 x 10/100Mbps auto-MDIX RJ-45 ports with 16 PoE enabled ports
2 x 10/100/1000Mbps RJ-45 ports + 2 x SFP ports	
<b>PoE power on RJ-45</b>	
Power + : ping 3 & ping 6; Power - : ping 1 & ping 2	
<b>Power supply</b>	
Input 100V ~ 240VAC, 50Hz ~ 60Hz. Output 48VDC 7.3A(380W)	
<b>Power Consumption</b>	
Each Port: 15 watts (AF) / 30 watts (AT)	Each Port: 15 watts (AF) / 30 watts (AT)
380 watts (430W Total Power)	250 watts (320W Total Power)
<b>Network Management</b>	
Switch Feature / Layer-2 Protocol / Console Command / Management Protocol / PoE ports	
<b>Safety</b>	
110VAC to 240VAC power supply UL listed, FCC Class B, CE Mark Class B, RoHS / Port Lightning Protection: Level 3, Per:IEC61000-4-5/4-2	
<b>RAM buffer</b>	
3Mb bytes per device	
<b>Filtering Address Table</b>	
4K entries per device	
<b>MAC address Learning</b>	
Working Temperature: 0°C~55°C 0~95% humidity non-condensing	
<b>Dimensions / Weight</b>	
442mm×315mm×44mm / 7.00 Kg	442mm×315mm×44mm / 6.5 Kg